



2024-2025

SWIMMING POOL LIGHTS



We always focus on innovation.

ABOUT US

PROFESSIONAL SWIMMING POOL LIGHTS MANUFACTURER



Maxillum has been dedicated to above ground and underwater led lights business since 2008, we have got very reliable partnership with many clients over 70 countries in the world through many years' loyalty and diligently building in design, technical innovation and manufacturing experience.

Product itself speaks all. Completely solving the water leakage complaints, providing most convenient installation solution is our mission. Our products include PAR56, wall mounted series, epoxy resin filled pool lights series, fountain lights, landscape lights, world brand replacement pool lights series, transformers, controllers, pool bulbs, etc, they are widely used in concrete pool, fiberglass pool, liner pool, landscapes, etc. Our products perfectly meet every end users' demand and are popular with many brand creators. Our customers describe us as trustworthy, experienced and dedicated manufacturer partner.

Reputation is our company's culture. It's our major mission to bring premium quality and price-performance led lighting products and solutions to every partner and brand creator clients in the world. We are continuously providing the highest working standard and customer service. With much appreciation, loyalty and dignity in quality control, our passion and love in work will also spread to each user finally.

Creating safe and high performance pool lighting products, making your own logo or brand popular is our mutual and final goal. We are happy to be your best trusted partner in China!

1

Control Systems

Page 01 - Page 13

2

Lighting Source

Page 14 - Page 19



Page 5, 7, 8

Page 29, 31, 32

Page 41, 47, 48, 50

Page 52, 53, 54, 55, 58

3

Recessed Type

Page 20 - Page 26

4

ABS Wall Mounted

Page 27 - Page 40

5

Stainless Steel Wall Mounted

Page 41 - Page 51

6

MINI / 1.5 inch / 2.0 inch

Page 52 - Page 66

7

Underwater + Fountain Light

Page 67 - Page 78

8

Accessories

Page 79 - Page 80

1. ON/OFF Control



15 Color Programs

- 1 Static Blue
- 2 Static Red
- 3 Static Green
- 4 Static Red/Blue
- 5 Static Blue/Green
- 6 Static Red/Green
- 7 Static White
- 8 Cycle Red-Red/Green-Green
- 9 Cycle Green-Green/Blue-Blue
- 10 Cycle Red-Red/Blue-Blue
- 11 Cycle Red-Green-Blue, Speed from fast to low.
- 12 Same as program 11, the speed is slower.
- 13 Cycle Green-Red/Blue-Blue-Red-White-Blue/Green-Red/Green
- 14 Cycle gradual change of all colors.
- 15 Cycle gradual change of Red-Green-Blue.

Operation Suitable for CB006 / CB008 /CB004-100W

Changing colors:

Turn the lamps OFF and quickly back ON (0-3 seconds)

Synchronizing multiple lamps:

1. All lamps need to be connected to the same transformer.
2. Turn the lamps OFF and back ON within 4-30 seconds.
3. All the lamps back to first program (fixed blue)

Memorizing the last color:

Select the desired color, turn OFF the lamps more than 34 seconds, the chosen color has now been memorized.

Control Box , with a remote controller

15 Color Programs, same as last page1



Code : CB006

Size : 150*105*70mm

6 connect terminals ,max 120W.



Remote controller

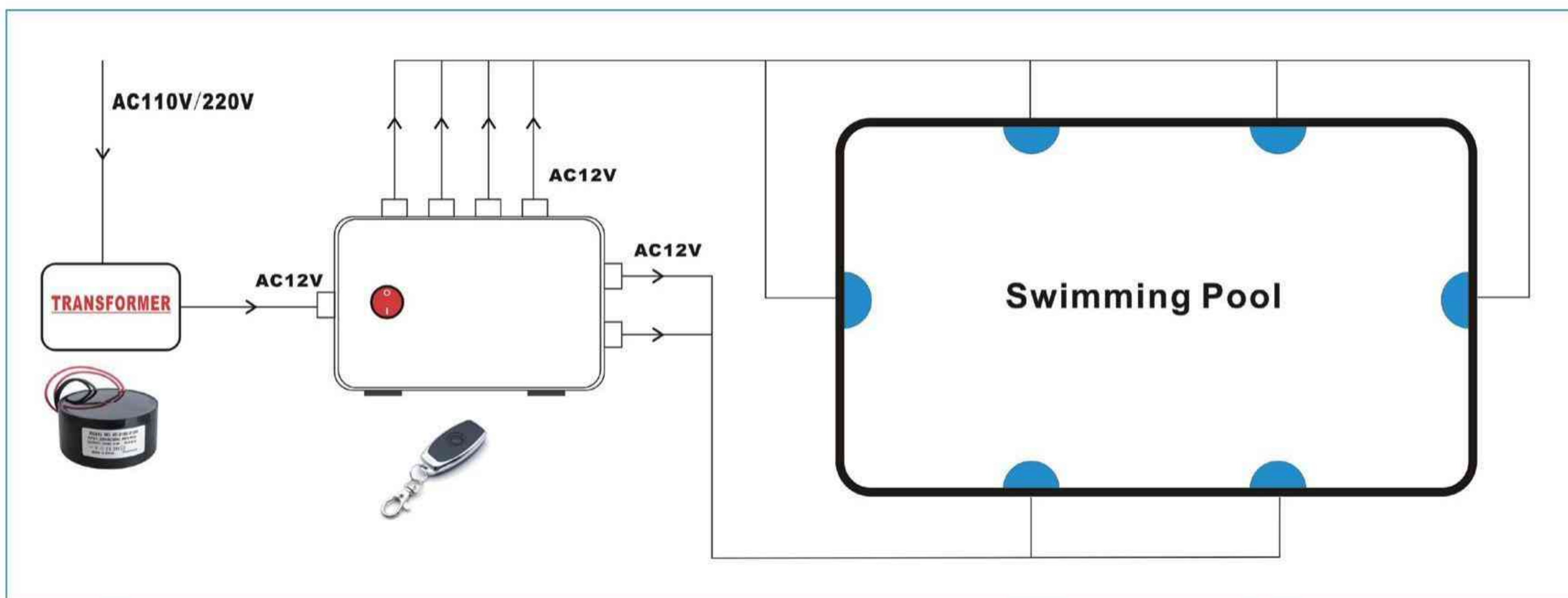


Code : CB008

Size : 185*175*110mm

8 connect terminals ,max 300W.

How to connect the lamps with the CB box ?



- Connecting all lights absolutely synchronized.
- 15 color models to meet personal enjoyment.
- Handle remote controller can be 30-50 meters far from the control box.
- This MINI box must be connected with the magnetic transformer(AC12V).
- **You can change the lamps' color by main switch or remote controller.**



PHOTO	CODE	INPUT	POWER	POSITION	CONNECT LAMP QTY
	CB006	AC12V	120W	After the Transformer	RGB 12W 6pcs
					RGB 18W 5pcs
					RGB 25W 4pcs
					RGB 32W 3pcs
					RGB 40W 2pcs
	CB008	AC12V	300W	After the Transformer	RGB 12W 8pcs
					RGB 18W 8pcs
					RGB 25W 8pcs
					RGB 32W 6pcs
					RGB 40W 6pcs



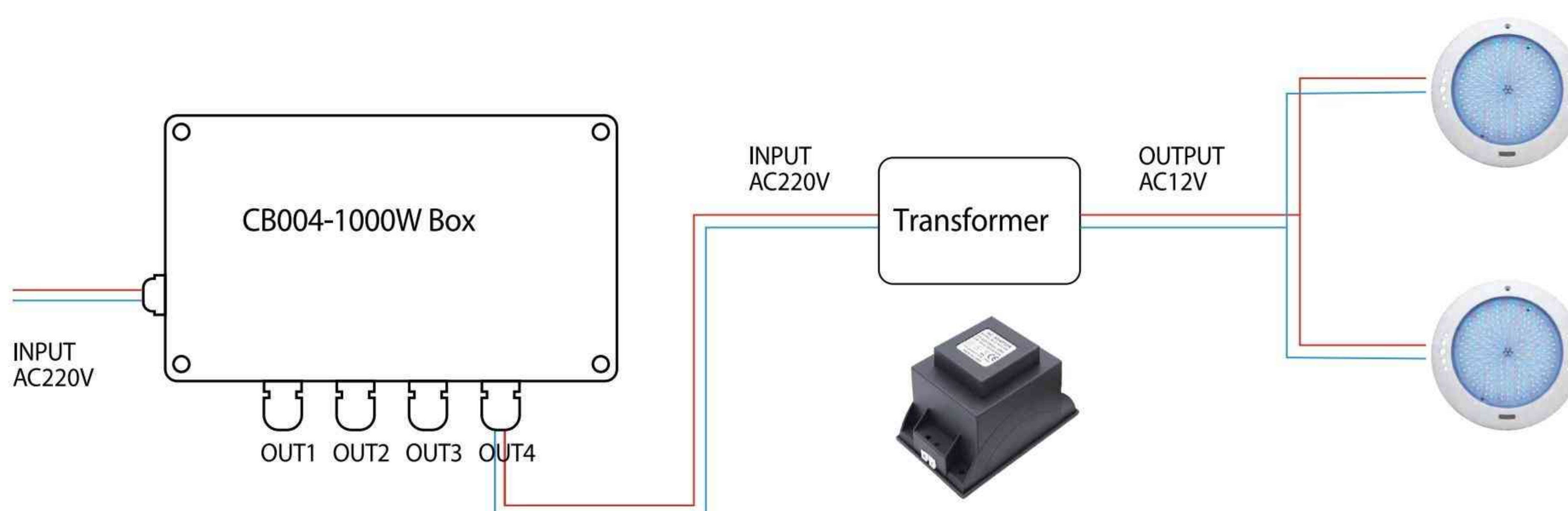
Remote controller

Code : CB004-1000W


Size : 220*140*75mm

4 connect terminals ,max 1000W.

How to connect the lamps with the CB box ?



- Connecting all lights absolutely synchronized.
- 15 color models to meet personal enjoyment.
- Handle remote controller can be 30-50 meters far from the control box.
- This MINI box must be connected **before** the magnetic transformer(AC220V).
- **You can change the lamps' color by main switch or remote controller.**

PHOTO	CODE	INPUT	POWER	POSITION	CONNECT LAMP QTY	
	CB004-1000W	AC 220V	1000W	Before the Transformer	RGB 12W	60pcs
					RGB 18W	50pcs
					RGB 25W	30pcs
					RGB 32W	25pcs
					RGB 40W	20pcs

RGB ON/OFF Control Box MC-15



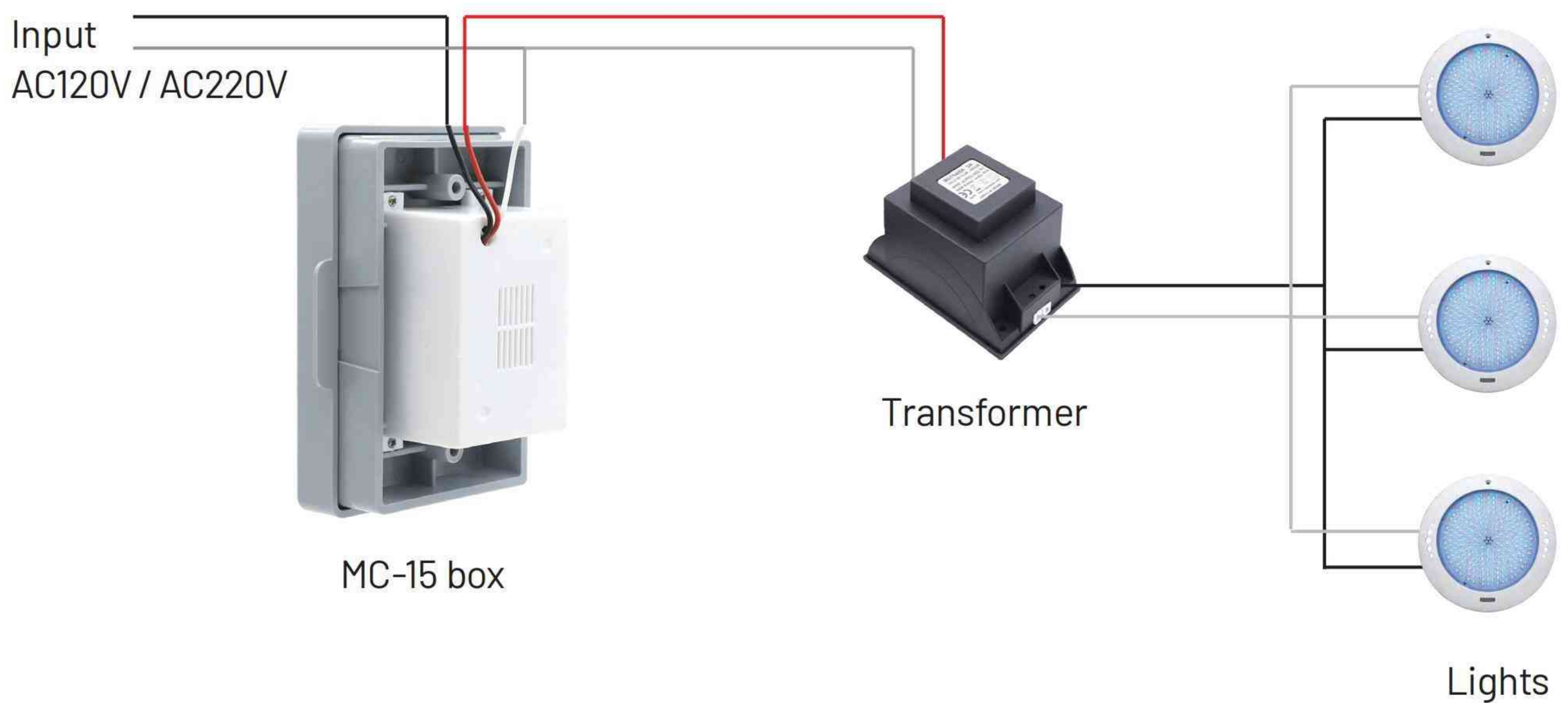
12 Color Programs, see Page 5



The MC-15 can be installed in American wall switch socket installation bottom box.



How to connect the lamps with the MC-15 box ?



12 Color Programs (For RGB or RGBW ON/OFF)

- 1 **Butterfly Wings :** Cycles through white, purple, blue and green colors
- 2 **Galaxy Eye :** The colors flashe quickly, full of energy
- 3 **Rainbow Sky :** Gradual change blue-purple-red-yellow-cyan-green-purple
- 4 **Summer Dream :** Blue and green appear alternately
- 5 **France Romatic :** Transition between red, white and blue
- 6 **Desert Passion :** Dramatic transitions of orange, red and purple
- 7 **Mexico Night :** Richer and deeper color changes between red-purple-yellow-green
- 8 **Ocean Heart :** Static Blue
- 9 **Spring Green :** Static Green
- 10 **Cherry Kiss :** Static Red
- 11 **Noble White :** Static White
- 12 **Lavender Love :** Static Purple
- 13 **Hold Mode :** Lock the current mode
- 14 **Return Mode :** Return to the previous locked mode

Suitable for MC-15 control box

Operation

Selecting colors:

To select a color show mode (1-7) or static color (8-12), turn the wall switch OFF/ON a specific number of times. Each number (1-12) shown above corresponds to the number of times to power-cycle the switch to activate a color light show or static color.

Hold: Lock the current mode. (switch OFF/ON 13 times)

Return: Return to the previous locked mode. (switch OFF/ON 14 times)

Memorizing the color:

When power is switched off (more than 10 seconds) to the RGB color lights, the last color show mode or fixed color will be saved. The next time the light is powered on, the previously saved color show mode or fixed color will be displayed.

2. Remote Control

A-13 Color Programs

- 1 **ON**
- 2 **OFF**
- 3 Static Blue
- 4 Static Red
- 5 Static Green
- 6 Static Red/Blue
- 7 Static Blue/Green
- 8 Static Red/Green
- 9 Static White
- 10 Cycle Red-Red/Green-Green
- 11 Cycle Green-Green/Blue-Blue
- 12 Cycle Red-Red/Blue-Blue
- 13 Cycle Red-Green-Blue, Speed from fast to low.
- 14 Cycle Green-Red/Blue-Blue-Red-White-Blue/Green-Red/Green
- 15 Cycle gradual change of all colors.



R15

(Controlling Distance Max 100M)

Operation

Changing colors:

Button 3-15, each button is one program.

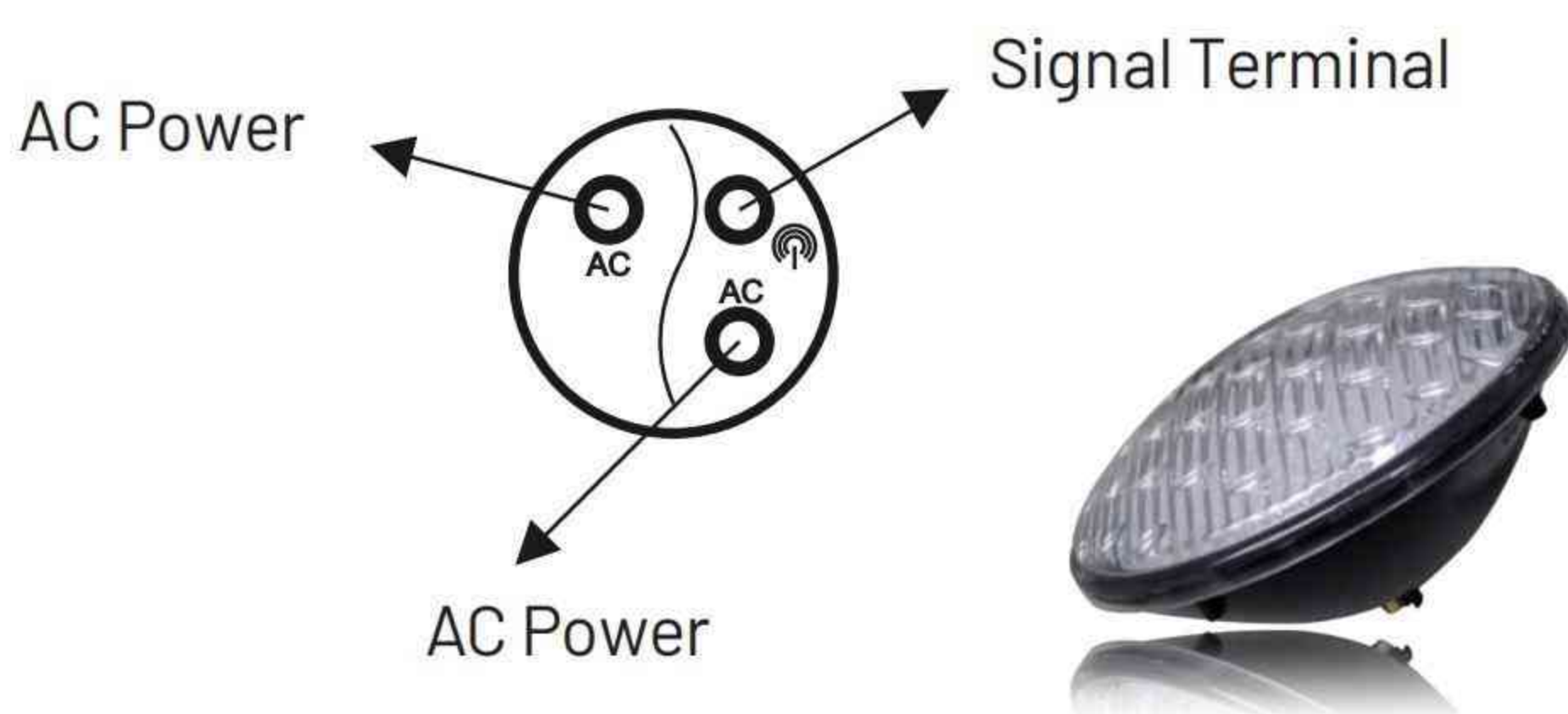
Synchronizing multiple lamps:

Press one button until all the lamps change to the same program.

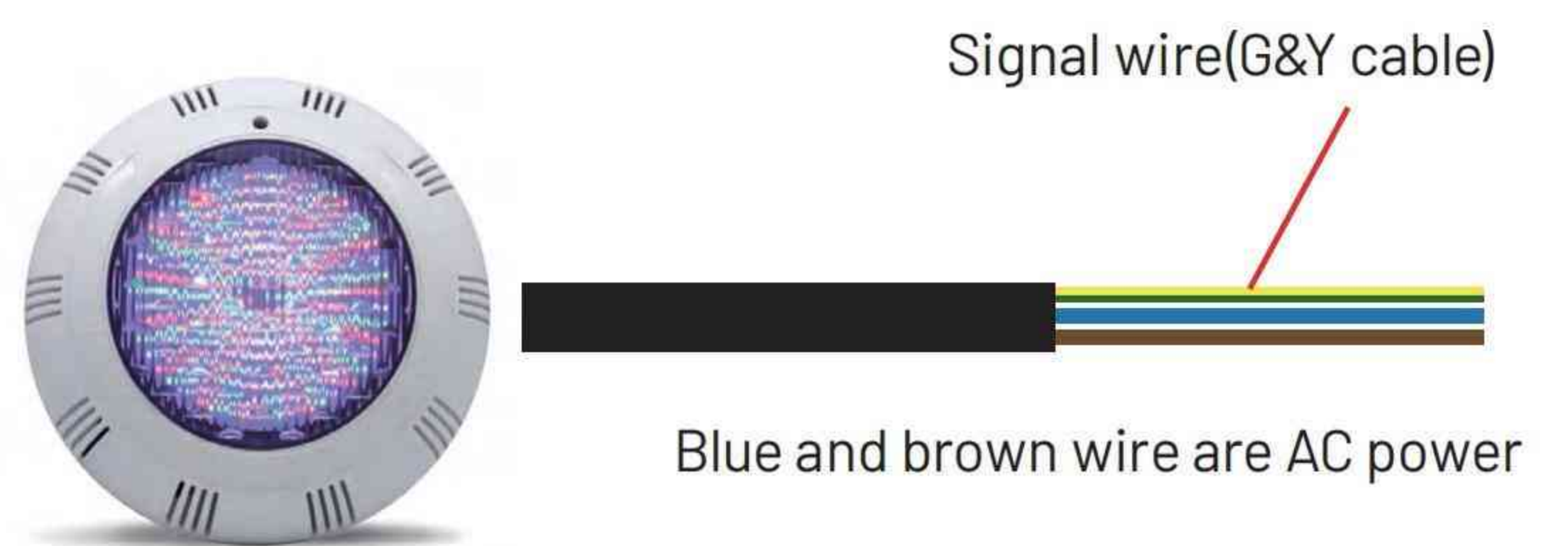
Memorizing the last color:

Select the desired color, turn OFF the lamps, the chosen color has now been memorized.

Superhet Remote controller + Signal terminal out of water = Perfect Synchronization



For PAR56 bulb



For wall mounted lamp